

\*BY APPROVING THIS DRAWING YOU ARE ENSURING THAT THESE DIMENSIONS HAVE BEEN FIELD VERIFIED.

APPROVED BY:

DATE:

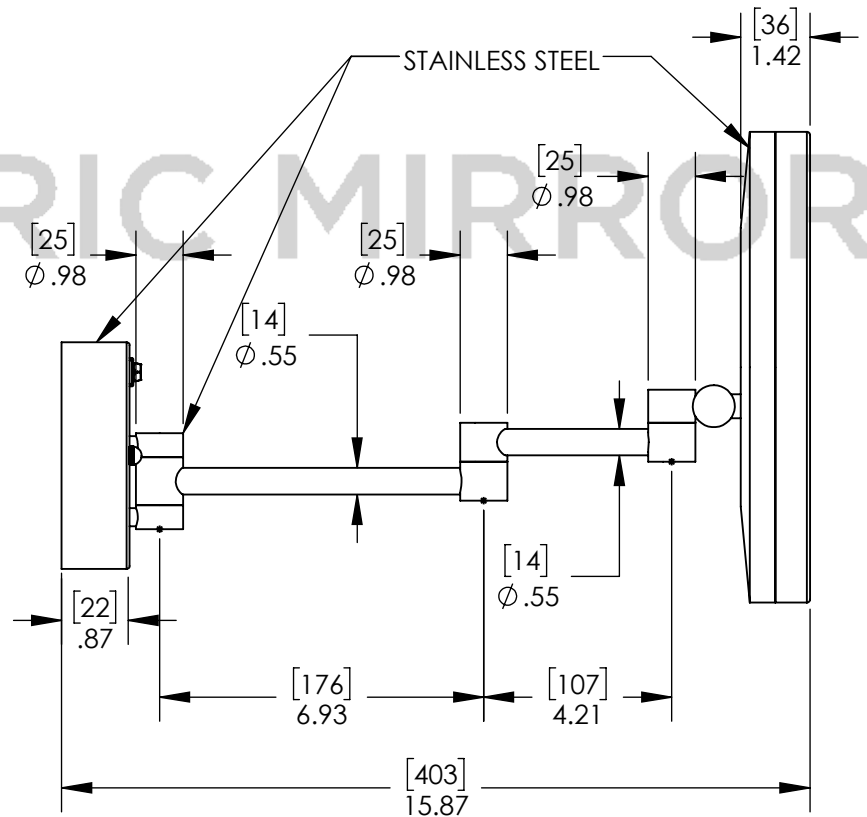
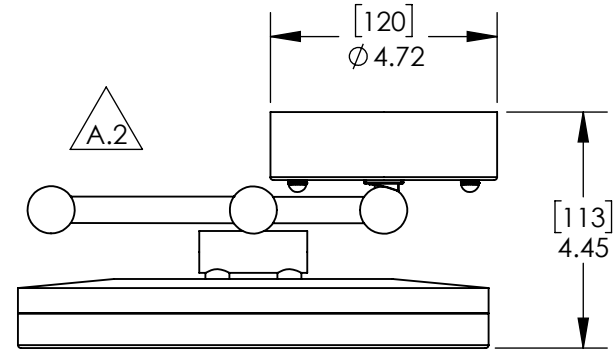
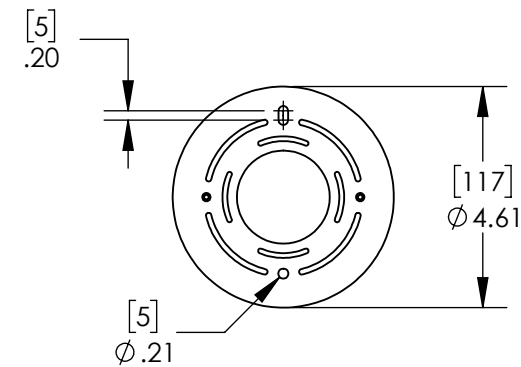
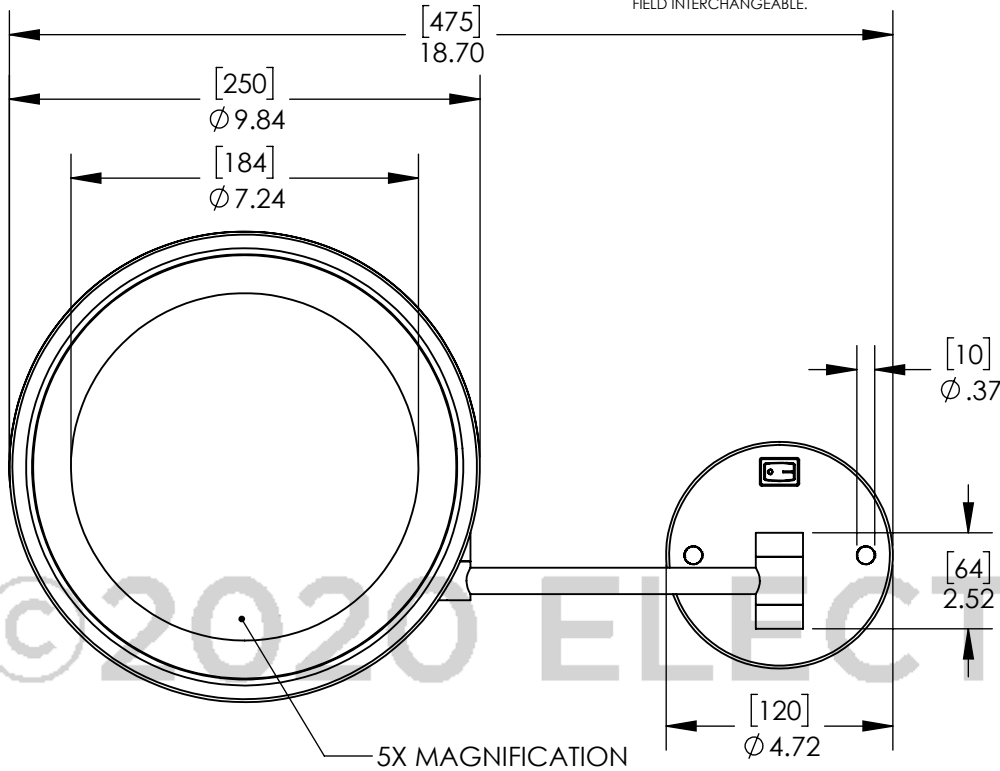
REVISION REQUESTED

NOTE: MIRROR CAN ONLY BE HUNG IN THE WXH ORIENTATION AS SHOWN AND IS NOT FIELD INTERCHANGEABLE.

REV.	DESCRIPTION	ECR#	REVISED	APPROVED	DATE
A.2	ADDED COLLAPSED TOP VIEW	N/A	17	RH	6/5/20

DIMS IN INCHES [mm] TOLERANCE: ±1/8" [3] REV. A.2

SCALE: 1:4 PG. 1 OF 1



FINISH: BRUSHED STAINLESS  
 WEIGHT: 1.3KG  
 LED: CCT 3000K  
 CRI ≥ 90  
 WATTAGE: 6W  
 DRIVER: LETARON AED04-350ILS

**ELECTRIC MIRROR**® 2020

MM-BLU-WM-BS-120V-5X

SALES AID -6/16/2020

PROPRIETARY AND CONFIDENTIAL:  
 THE INFORMATION CONTAINED IN THIS DRAWING IS THE SOLE PROPERTY OF ELECTRIC MIRROR L.L.C. ANY REPRODUCTION IN PART OR AS A WHOLE WITHOUT THE WRITTEN PERMISSION OF ELECTRIC MIRROR L.L.C. IS PROHIBITED. © 2020 ELECTRIC MIRROR

±