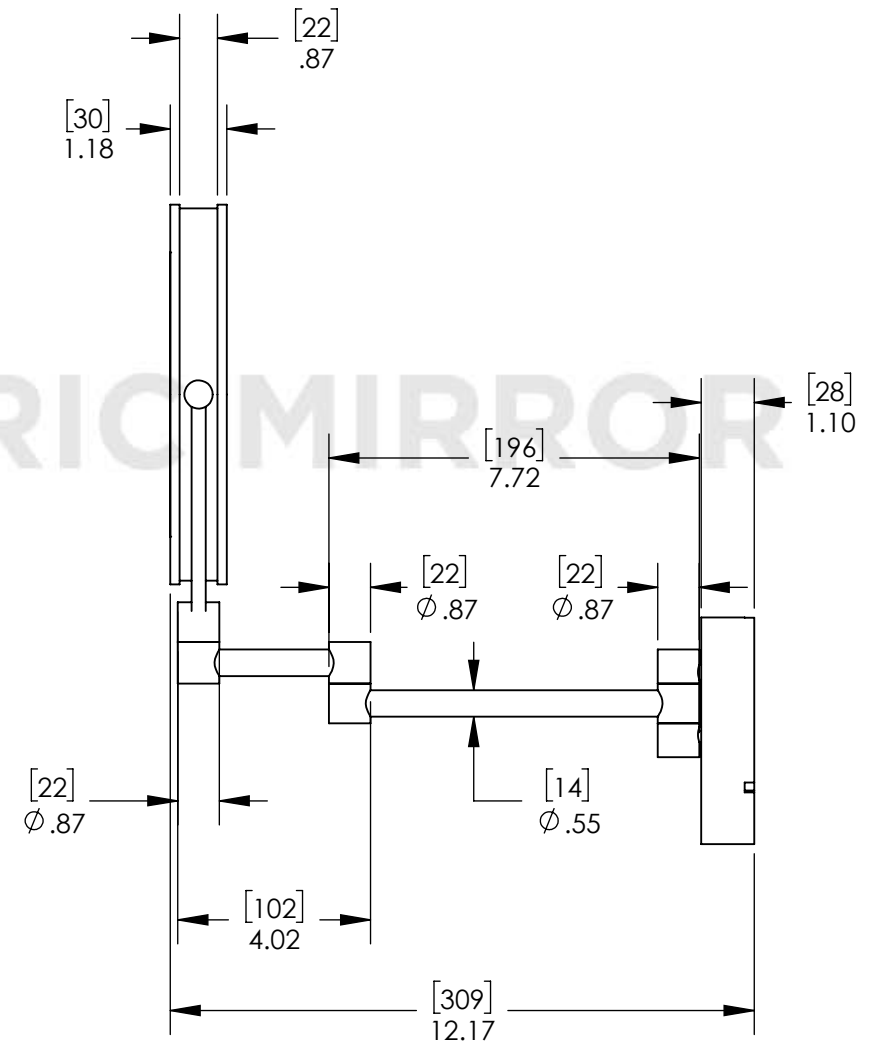
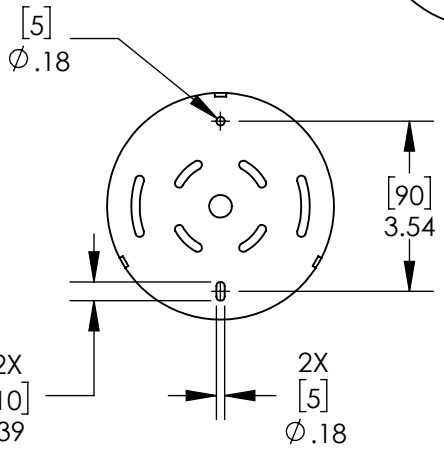
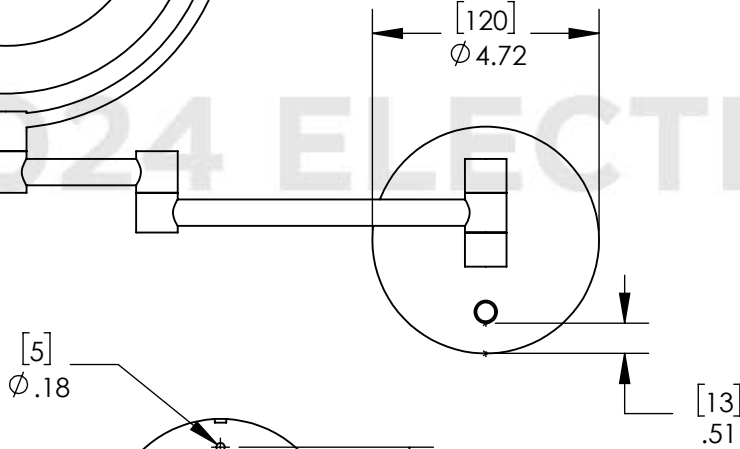
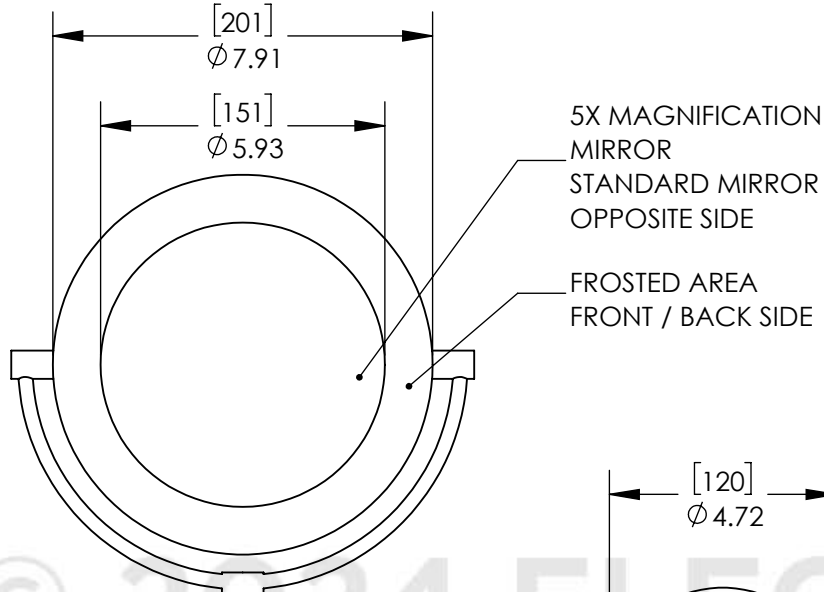


*BY APPROVING THIS DRAWING YOU ARE ENSURING THAT THESE DIMENSIONS HAVE BEEN FIELD VERIFIED.

APPROVED BY: _____ DATE: _____

REVISION REQUESTED

DIMS IN INCHES [mm] REV. B.1
 TOLERANCE: ±1/8" [3]
 SCALE: 1:4 PG. 1 OF 1



FINISH: POLISHED STAINLESS
 WEIGHT: 1.5KG
 LED: CCT 3000K
 CRI ≥ 90
 WATTAGE: 6W
 DRIVER: ES LD-VU5012

ELECTRIC MIRROR

© 2024 ELECTRIC MIRROR
 MM-CHR-WM-PS-120V-5X
 2024 SALES AID -2/12/2024

PROPRIETARY AND CONFIDENTIAL:
 THE INFORMATION CONTAINED IN THIS DRAWING IS THE SOLE PROPERTY OF ELECTRIC MIRROR L.L.C. ANY REPRODUCTION IN PART OR AS A WHOLE WITHOUT THE WRITTEN PERMISSION OF ELECTRIC MIRROR L.L.C. IS PROHIBITED. © 2024 ELECTRIC MIRROR

	±	