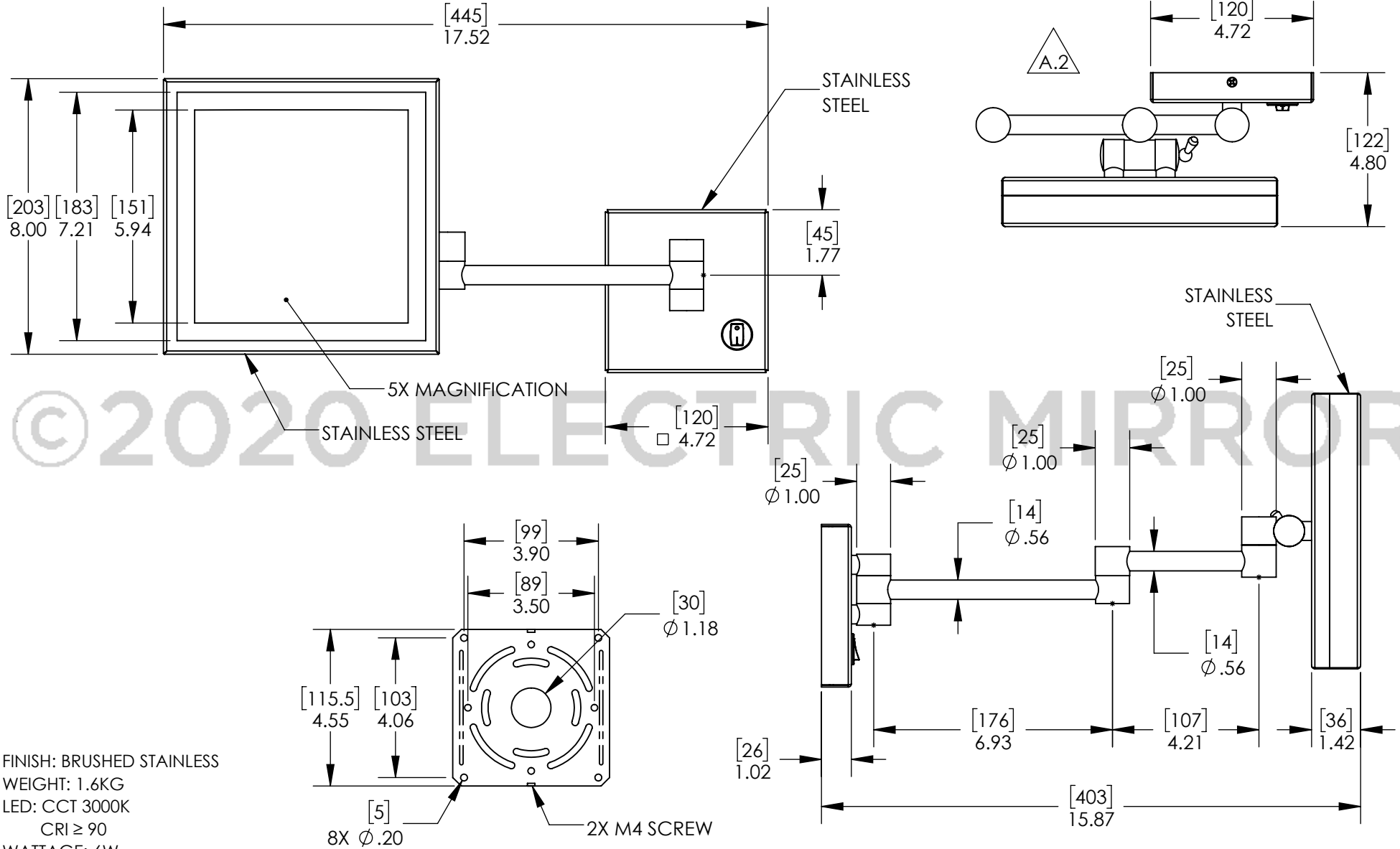


*BY APPROVING THIS DRAWING YOU ARE ENSURING THAT THESE DIMENSIONS HAVE BEEN FIELD VERIFIED.

REV.	DESCRIPTION	ECR#	REVISED	APPROVED	DATE
A.2	ADDED COLLAPSED TOP VIEW	N/A	JZ	RH	6/9/20

APPROVED BY: _____ DATE: _____

REVISION REQUESTED



FINISH: BRUSHED STAINLESS
 WEIGHT: 1.6KG
 LED: CCT 3000K
 CRI ≥ 90
 WATTAGE: 6W
 DRIVER: LETARON AED04-350ILS

ELECTRIC MIRROR® 2020

MM-ELX-WM-BS-120V-5X

SALES AID -6/16/2020

NOTE: MIRROR CAN ONLY BE HUNG IN THE WXH ORIENTATION AS SHOWN AND IS NOT FIELD INTERCHANGEABLE.

PROPRIETARY AND CONFIDENTIAL:
 THE INFORMATION CONTAINED IN THIS DRAWING IS THE SOLE PROPERTY OF ELECTRIC MIRROR L.L.C. ANY REPRODUCTION IN PART OR AS A WHOLE WITHOUT THE WRITTEN PERMISSION OF ELECTRIC MIRROR L.L.C. IS PROHIBITED. © 2020 ELECTRIC MIRROR

DIMS IN INCHES [mm]
 TOLERANCE: ±1/8" [±3]

REV. A.2

SCALE: 1:4

PG. 1 OF 1