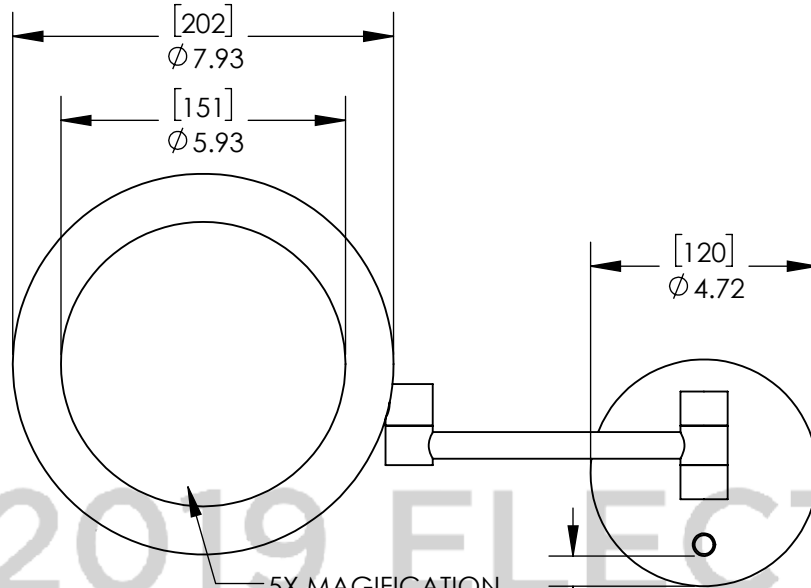


*BY APPROVING THIS DRAWING YOU ARE ENSURING THAT THESE DIMENSIONS HAVE BEEN FIELD VERIFIED.

APPROVED BY: _____ DATE: _____

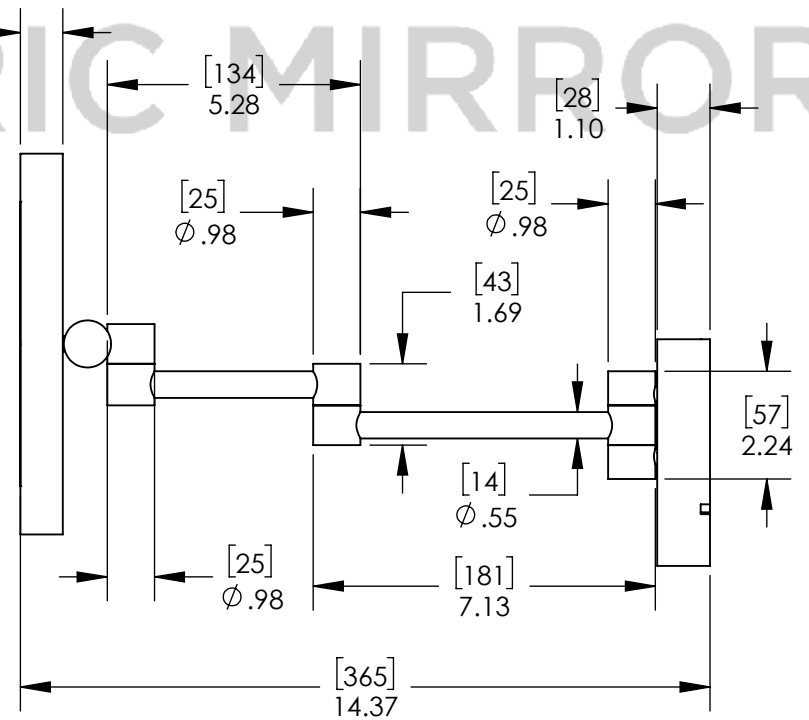
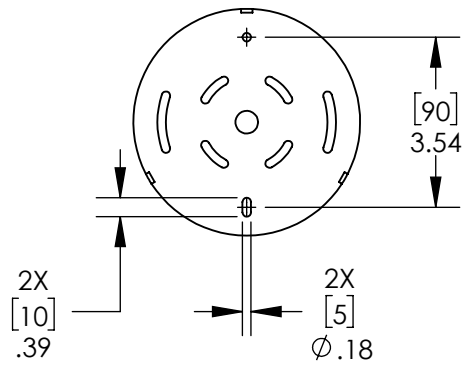
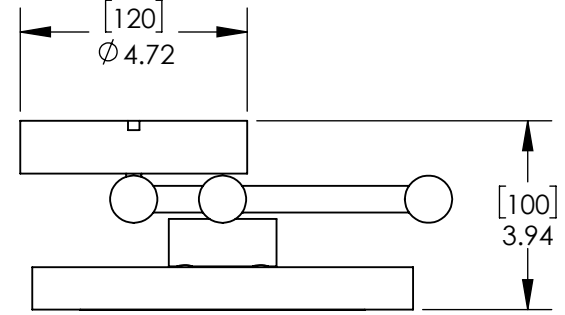
REVISION REQUESTED



5X MAGNIFICATION

[16]
.63

[22]
.88



FINISH: MATTE BLACK
WEIGHT: 1.7KG
LED: CCT 3000K
CRI ≥ 90
WATTAGE: 6W

ELECTRIC MIRROR

® MM-GLA-WM-MB-120V-5X

2019 SALES AID -3/9/2021

PROPRIETARY AND CONFIDENTIAL:

THE INFORMATION CONTAINED IN THIS DRAWING IS THE SOLE PROPERTY OF ELECTRIC MIRROR L.L.C. ANY REPRODUCTION IN PART OR AS A WHOLE WITHOUT THE WRITTEN PERMISSION OF ELECTRIC MIRROR L.L.C. IS PROHIBITED. © 2019 ELECTRIC MIRROR

DIMS IN INCHES [mm]
TOLERANCE: ±1/8" [±3]

REV. A.1

SCALE: 1:4

PG. 1 OF 1