

ELECTRIC MIRROR®

INSTALLATION GUIDE
for Series 4 Lighted Mirrors



Pictured: Vela™ Lighted Vanity Mirror

CONGRATULATIONS

You've purchased one of the finest lighted mirrors available from the global leader in lighted mirror technology.

Your new lighted mirror has been designed to provide you with many years of illumination, reflection, and enjoyment. Installation is quick and easy, but please read these instructions thoroughly before beginning the process.

If you have any questions or need help along the way, please contact our Customer Service team for assistance.

NEED HELP?

Call: 425.776.4946

Email: support@electricmirror.com

Website: electricmirror.com

To confirm the part number for your product, locate the product label on the back of the mirror:

ELECTRIC MIRROR®
Serenity™
OmegaMirror™
Patent: www.electricmirror.com/patents

Electric Mirror LLC
6101 Associated Blvd., Suite 101
Everett, WA 98203 USA
Toll Free: +1-888-218-9238
Support: +1-844-264-3217
www.electricmirror.com

Job: 123456 • Rev: A • SO/Line/Rel: 123456/1/1 • ITEM: Mirror

Part #: SER4-72.00X36.00-LHERD-30K-M
MODEL #: SER4-72.00X36.00-LHERD-30K-M
ONLY USE WITH: 81330-D2-192W-GEN4
Input Rating=120/277V, 60 Hz, 6.0A (max)

MIN 90°C SUPPLY CONDUCTORS, SUITABLE FOR DRY LOCATIONS.
THIS LUMINAIRE MUST BE MOUNTED OR SUPPORTED INDEPENDENTLY OF AN OUTLET BOX MIN 90°C SUPPLY CONDUCTORS, SUITABLE FOR DAMP LOCATIONS.
THIS LUMINAIRE MUST BE MOUNTED OR SUPPORTED INDEPENDENTLY OF AN OUTLET BOX.
MIN 90 degree Celsius (500°F) minimum conductor and fixture terminals. CA luminaires doit être installé ou soutenu indépendamment d'une boîte de sortie MIN 90°C SUPPLY CONDUCTORS, SUITABLE FOR DAMP LOCATIONS.
WALL MOUNT ONLY

CHAS/7 V4.2
DOM: 2025-10-07
MADE IN THE USA
DEUT. 8:18, 2 COR. 3:18
Label 1 of 2

APPLICABLE MODELS

These installation instructions apply to all of the Series 4 Lighted Mirrors listed below, including Vanity, Wardrobe, and Living/Public Space versions with a part number prefix of 4 (indicated on the part number label located on the back of the mirror):

- Aurora (AUR4)
- Ellura (ELA4)
- Essence (ESS4)
- Eyla (EYL4)
- Glorielle (GLL4)
- Isola (ISL4)
- Luna (LUN4)
- Novo (NOVV4)
- Optera (OPA4)
- Petra (PET4)
- Pinnacle (PIN4)
- Radiance (RAD4)
- Sentinel (SEN4)
- Serenity (SER4)
- Silhouette (SIL4)
- Solis (SOL4)
- Sorelle (SOR4)
- Trinitry (TRI4)
- Vanguard (VGD4)
- Vela (VEL4)

GETTING STARTED

1. REVIEW IMPORTANT SAFETY INSTRUCTIONS

Use a qualified electrician.

- Your lighted mirror must be installed by a qualified technician or licensed electrician.
- These instructions assume an electrical connection has already been brought to the mirror location in the wall.
- All electrical components must be serviced by a qualified electrician. The power source must be disconnected prior to servicing electrical components.

Read and follow instructions.

- For proper installation, thoroughly read these instructions and install the mirror accordingly. Be sure to keep a copy for future reference.
- Failure to follow these instructions voids the warranty.

Follow safety precautions.

- To prevent injury, the mirror must be installed according to these instructions.
- Failure to do so could result in serious injury or death.

2. UNPACK YOUR LIGHTED MIRROR

Verify the contents.

- Unpack the boxes to identify and verify all contents prior to installation.

CAUTION!

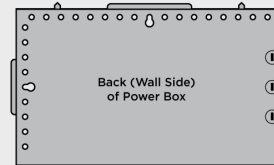
Mirror glass is fragile. Do not place the mirror directly onto a hard surface. Keep edge protectors in place and rest the mirror on a cushioned surface.

- In general, your mirror will include the following:
 1. Power Box/Wall Cleat
 2. Mounting Screws (pack of 4—included in the power box)
 3. Standoffs (pack of 2—included in the power box)
 4. Mirror

NOTE: Mirrors 37" wide or wider also include a separate wall cleat used for hanging the mirror rather than hanging it from the power box.

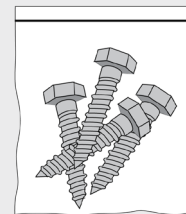
In this case, you will find the additional wall cleat attached to the hanger on the back of the mirror.

Power Box/Wall Cleat



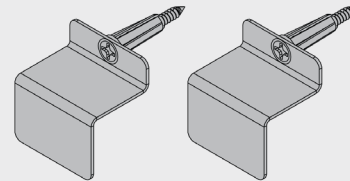
Mounting Screws

(not to scale, pack of 4 included in the power box)



Standoffs

(not to scale, pack of 2 included in the power box)



Mirror



3. DETERMINE THE MOUNTING POSITIONING

Confirm the proper orientation.

- Unless otherwise stated, Electric Mirror lighted mirrors must be mounted in the Width x Height orientation identified in the part number because the mirror hanger is permanently attached to the back of the mirror and can only be installed in the designated orientation.
- Some mirrors include multiple mirror hangers, allowing the mirror to be hung in more than one orientation.

Determine and mark the mirror location on the wall.

- Establish the desired positioning of the mirror.
- The installation location should have proper backing material installed in the wall to support the weight of the mirror.
- The top edge of the mirror glass **must be positioned a minimum of 1" down from the ceiling** to provide clearance for hanging the mirror onto the power box/wall cleat. Additional clearance from the ceiling is recommended to make installation easier.

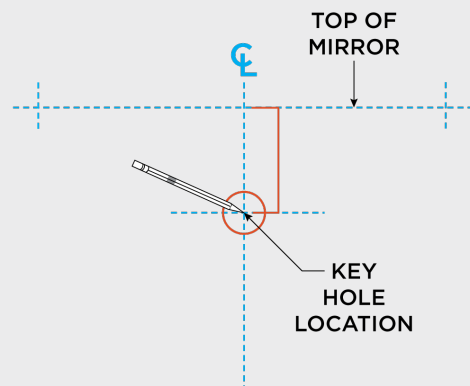
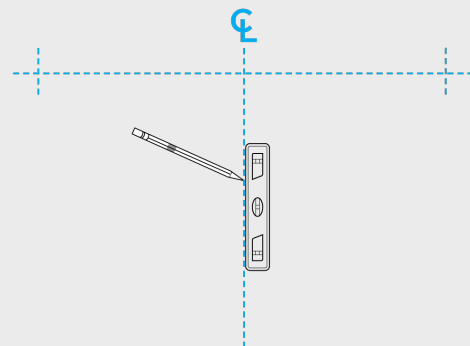
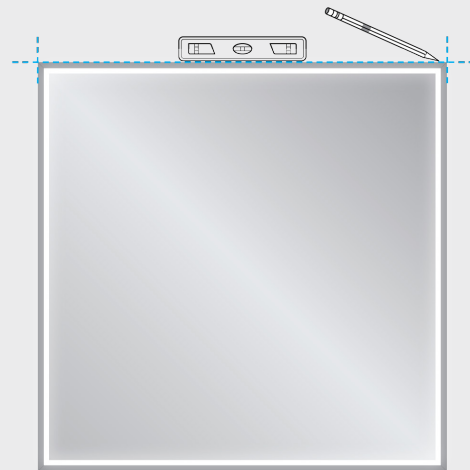
A keyhole slot is provided in the top center of the power box/wall cleat to ease the installation process. This allows the power box to be temporarily hung from a single screw while being leveled and adjusted.

Determine and mark the center line on the wall.

- Measure half the distance of the width of the mirror glass from one side, and mark the location of the center point.
- Use a level to ensure the center line is perpendicular to the line marked for the top of the mirror, and scribe a vertical line to indicate the center line of the mirror.
- The location of the keyhole slot will be in alignment with this center line.

Determine and mark the Key Hole location on the wall.

- To identify the proper location for the leveling screw, place the power box/wall cleat on the back of the mirror aligning the tabs so it sits flush.
- Measure the distance from the top of the mirror glass to the keyhole at the top center of the power box/wall cleat.
- Measure this same distance on the wall (from the top of mirror line on the wall) and mark this location on the wall.
- This mark indicates the leveling screw location based on the horizontal center of the mirror and the distance down from the top of the mirror glass.



4. PREPARE THE ELECTRICAL

Follow safety precautions.

- Your lighted mirror must be installed by a qualified technician or licensed electrician.
- Turn power OFF via the breaker box to the circuit that will power the mirror.
- Follow all NEC (National Electric Code) wiring standards for installation, including any additional local codes/regulations that may apply in your specific area.

Determine the location where the electrical wiring should come through the wall.

- Insert a screw into the keyhole slot in the power box aligning it with the mark made earlier and temporarily mount the power box to the wall, also ensuring it is level and plumb.
- The electrical entry locations are indicated by the knockouts on the back and side of the power box.

Bring electrical power to the power box location.

- The lighted mirror requires a switched 120VAC 50/60Hz circuit.
- If your mirror has additional options (example: TV, defogger, or clock), there may be additional power requirements.
- When bringing the wiring out from the wall, be sure to leave a suitable length electrical whip to reach the power box.

5. MOUNT THE POWER BOX OR WALL CLEAT

NOTE: Mirrors 37" wide or wider use a separate wall cleat for hanging the mirror. The power box will not be used to hang the mirror in this case, and will need to be mounted separately (in a location above where the power exits the wall).

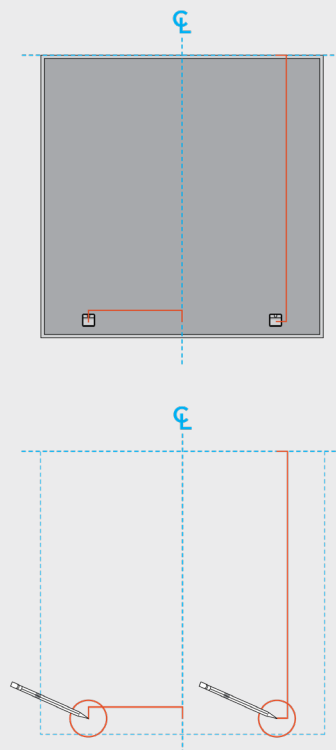
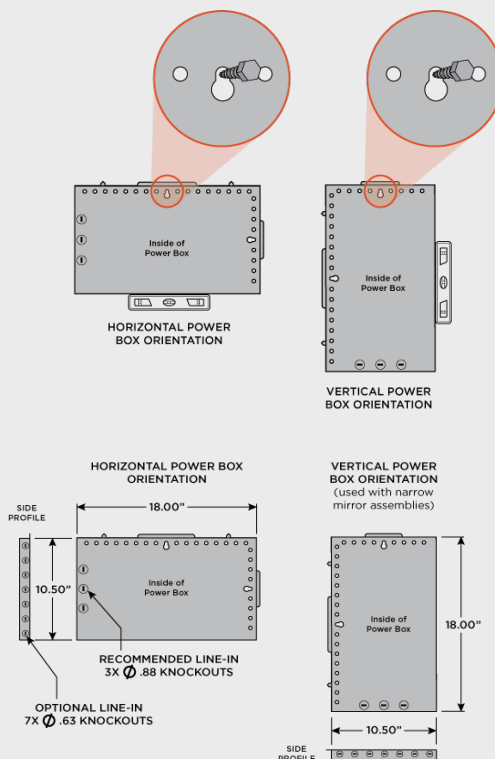
- Ensure the power box/wall cleat is level and plumb and that you have factored in the required 1" minimum clearance between the ceiling and the top of the mirror.
- Install a minimum of two (2) mounting screws to secure the power box/wall cleat to the wall—multiple hole locations are provided.
- These mounting screws are load-bearing and should be drilled into a wall stud or suitable backing. If this isn't possible, use appropriate wall anchors to support the overall weight of the mirror.
- You may remove the leveling screw from the keyhole slot if desired. However, it is okay to leave it.

6. INSTALL THE STANDOFFS

- Attach the standoffs to the magnets on the back of the mirror.
- Measure down from the top of the mirror and over from the centerline of the mirror to the centerpoint of each standoff.

NOTE: The location of the standoffs may be different from one another, so be sure to take measurements for each standoff.

- Record these measurements.
- On the wall, using these same measurements, locate and mark the centerpoint of each standoff.
- Install the standoffs on the wall in the marked locations.



7. CONNECT THE ELECTRICAL

Prepare the luminaire connectors.

The lighted mirror uses a luminaire connector to connect the power coming from the wall to the wiring in the power box.

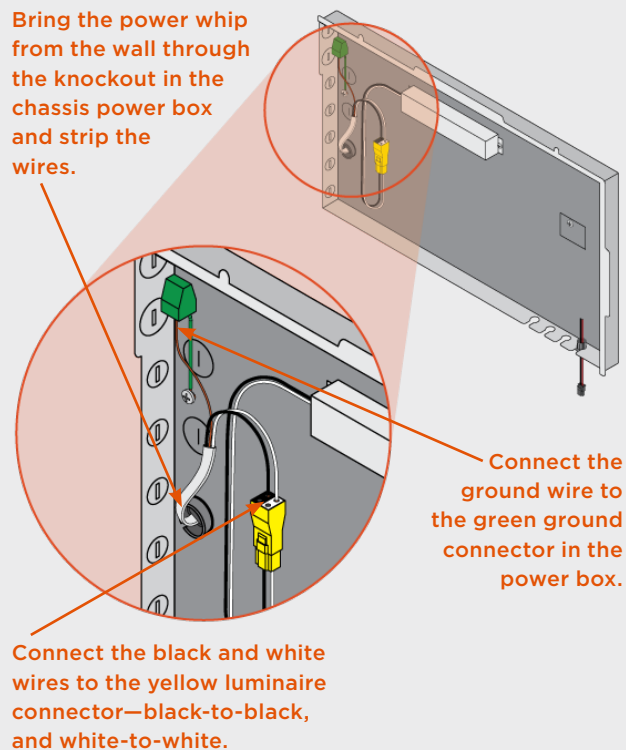
- Bring the electrical power wire from the wall through the knockout in the power box as shown using an approved electrical connector.
- The two halves of the luminaire connector (yellow) will come connected and pre-attached to the power cord in the power box. Separate the two halves of the luminaire by removing the unwired half. It will be used to connect to the wiring coming from the wall.
- Strip 0.375" of the ground (green or bare copper) wire as needed. Connect the ground wire by inserting it into the (green) ground connector inside the power box. The connector is a push-in style that does not require any tools.
- Strip the hot (black) and neutral (white) wires in the same way as the ground wire and insert the hot (black) and neutral (white) wires into the free half of the luminaire connector—black-to-black and white-to-white. The connector is also a push-in style that does not require any tools.
- Reconnect the (yellow) luminaire ends together.
- Connect the set of red & black wires from the LED assembly on the back of the mirror to the corresponding red & black wires coming from the power box. Some mirrors will have two sets of these wires—connect them both.
- If your mirror **INCLUDES** optional technology upgrades, proceed to Step 8 before turning on the power.
- If your mirror **DOES NOT INCLUDE** optional technology upgrades or dimming, turn the power on at the breaker box to test the functionality. Once you have verified it is working, skip to Step 10 "Hang the Mirror".

8. CONNECT OPTIONAL TECHNOLOGY UPGRADES (if applicable)

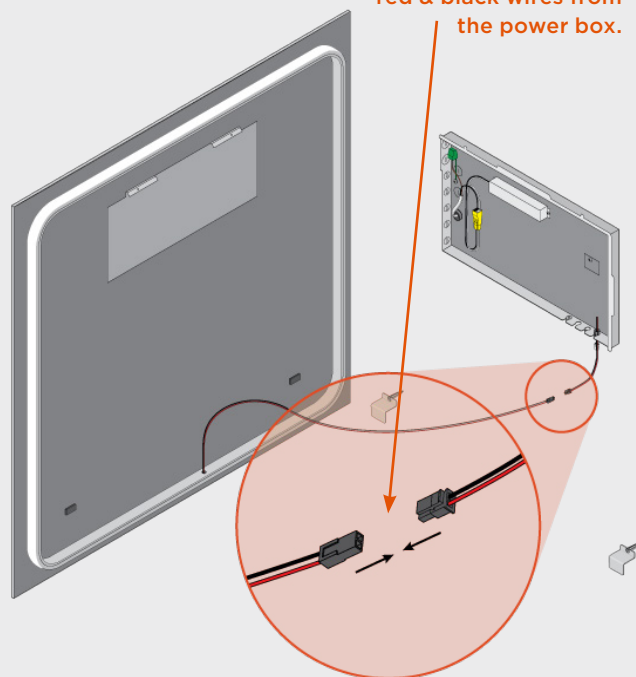
If your mirror includes optional technology upgrades such as: Ava™, Keen™, Vive™, Seamless™, Defogger, etc., follow the additional wiring instructions below:

- There will be another set of wires coming from the power box and a corresponding set of wires connected to a module on the back of the mirror for each technology component included. Match them up by color and connector type.
- Connect each set of corresponding wires and ensure that the locking lever and locking tab are properly aligned.
- Repeat the previous step for each technology component.
- If you completed the optional technology upgrade connection steps for either Ava™ or Keen™, skip Step 9 "Wire the Dimming Switch" and proceed to Step 10 "Hang the Mirror".

NOTE: When using Ava™, Keen™, or Vive™ with capacitive touch technology, Electric Mirror recommends connecting switches and hanging the mirror (Steps 9 and 10) prior to energizing the mirror. Energizing it first can cause grounding issues and improper button functionality.



Connect the set of red & black wires from the LED assembly on the back of the mirror to the corresponding set of red & black wires from the power box.



9. WIRE THE DIMMING SWITCH (if applicable)

If you are connecting the lighted mirror to a dimming switch, follow these instructions. If not, skip to Step 10 “Hang the Mirror”.

NOTE: Dimming switches are NOT compatible with Ava™ or Keen™ and should NOT be used with these technology upgrades installed.

D2—Phase/Triac Dimming

- Electric Mirror recommends a Leviton IPL06-10Z dimming switch (not included) for forward-phase/triac dimming.
- Two-wire control is a line-voltage phase-control dimming method.
- The LED driver receives the dimming signal through the dimmed hot (black) wire.
- Refer to dimmer switch manual for trimming instructions if dimming range requires adjustments.
- Turn the power on at the breaker box and test the functionality. Once you have verified the mirror is working properly, proceed to Step 10 “Hang the Mirror”.

D1—0-10 Volt Dimming

- Electric Mirror recommends a Leviton IP710-LFZ dimming switch (not included) for 0-10 Volt dimming.
- A 0-10 Volt control signal is a DC voltage that varies between zero and ten volts. The controlled lighting should scale its output so that at 10V, the controlled light is at 100% of its potential output, and at 0V it should be at the lowest possible dimming level.
- The low voltage wires must be run in a separate conduit from the line voltage supply. The chassis has two knockouts to accommodate the two sets of wires.
- A second luminaire disconnect is provided for the low voltage dimming wires. Refer to the luminaire connector notes (in Step 6) for more information. Match the colored wires—violet-to-violet (NEMA-100 Violet), and pink-to-pink (NEMA-100 Pink).
- Turn the power on at the breaker box to test the functionality. Once you have verified the mirror is working properly, proceed to Step 10 “Hang the Mirror”.

The type of dimming supported is typically one of the following: D2—Phase/Triac, or D1—0-10 Volt dimming. If you are not sure which type of dimming your driver is designed to support, or whether or not it will support dimming at all, it is listed in the part number on the label on the power box.

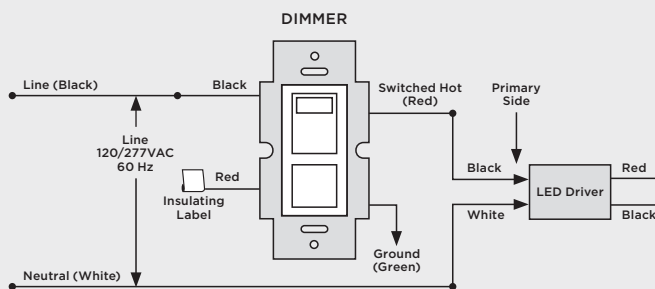
The example, below, indicates that this power box was designed to support D2—Phase/Triac dimming.

Example: 81330-D2-192W-GEN4

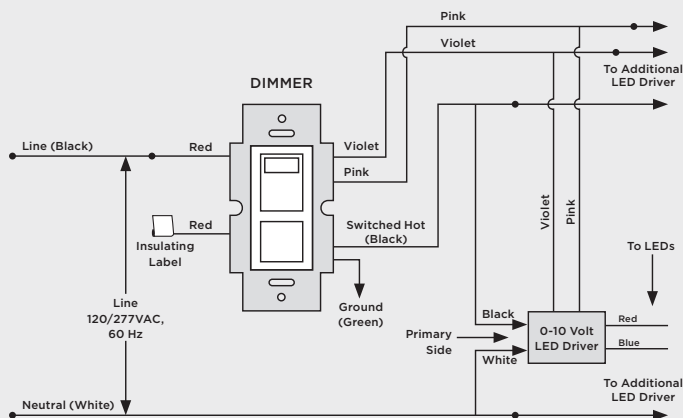
This second example, below, indicates that this power box is **NOT designed to support dimming** because neither D1 nor D2 is listed.

Example: 81330-96W-GEN4

D2—Phase/Triac Dimming Wiring Diagram



D1—0-10 Volt Dimming Wiring Diagram



10. HANG THE MIRROR

Understand the hanging system.

Hanging the mirror involves three components:

- A hanger located on the back of the mirror.
- A receiver/wall cleat integrated with the power box (or as a separate component for larger mirrors).
- Anchoring magnets with standoffs, located near the bottom of the mirror.
- The weight of the mirror is supported by the hanger/receiver at the top of the mirror and power box or wall cleat. The magnets/standoffs at the bottom help anchor the mirror to the wall and are required to keep the mirror firmly in place.

Align the mirror hanger with the wall cleat/power box.

- Remove **ONLY** the top mirror protectors.
- Then, carefully lift the mirror while angling the top edge toward the wall to align the hanger (on the back of the mirror) with the hanger receiver (located on the power box or wall cleat).
- Keeping the bottom of the mirror slightly angled away from the wall, slowly lower the mirror so that the tabs of the hanger seat between the tabs of the receiver.
- Take extra care to prevent the back of the mirror from scraping against the edges of the wall cleat/power box which could damage the back surface of the mirror.

Engage the magnets.

- With the top hanger set into the hanger receiver on the power box/wall cleat, slowly allow the bottom edge of the mirror to swing in toward the wall until the magnets are fully engaged with the standoffs.

CAUTION: Magnets can get stripped off if the mirror is lowered by vertically sliding it downward rather than allowing it to swing in toward the standoffs.

11. CLEAN THE MIRROR

Use the correct cleaner.

- The best and safest cleaner is simply clean, warm water used with a soft cloth. If using a commercial glass or mirror cleaner, be sure to **SELECT ONE THAT DOES NOT CONTAIN AMMONIA OR VINEGAR**, which can damage the mirror.

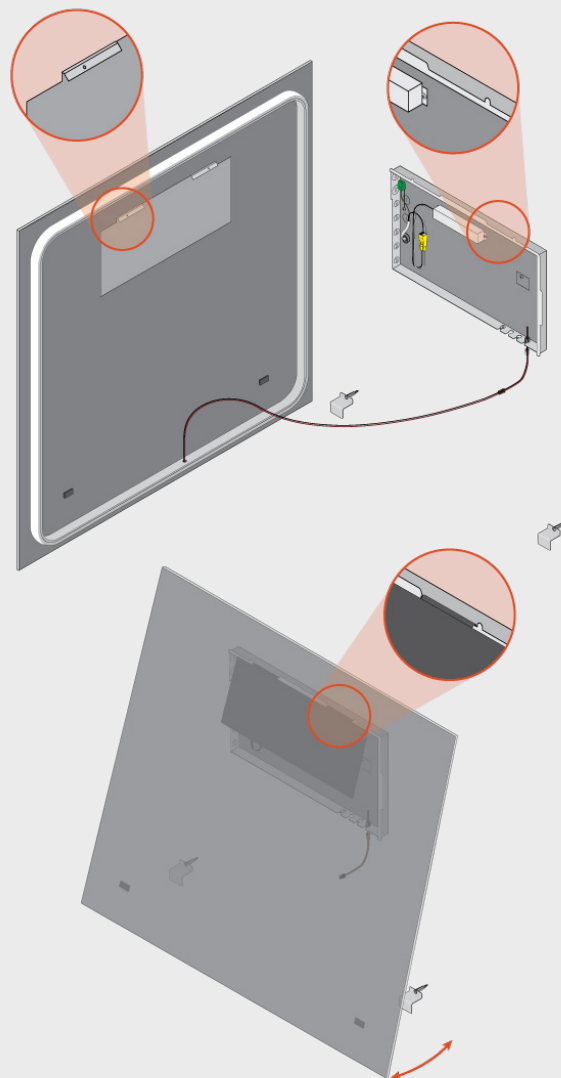
Use the correct cleaning cloth.

- Always use soft, grit-free and lint-free cloths to reduce the chance of scratching the mirror surface. The best choice is a clean, microfiber cloth.

Use the correct cleaning method.

- Never spray the water or cleaner directly onto the mirror. Instead, apply it to the cloth and then wipe the mirror.
- Do not allow the edges of the mirror to get or remain wet. Be sure to dry all joints and edges thoroughly to be certain no water or cleaner remains in contact with the edge or back surface of the mirror.

Please refer to the [Mirror Care & Cleaning Instructions](#) available from our website for additional information.



The best and safest way to clean your mirror is using clean, warm water and a microfiber cleaning cloth.

